

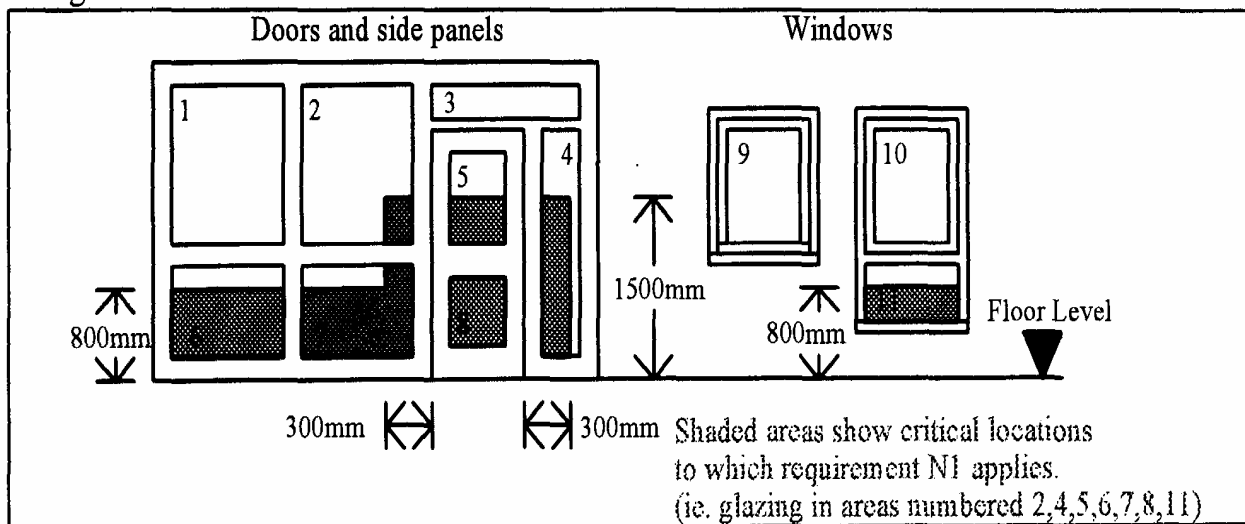
To comply with the Building Regulations glazing requirements to what is called '**Critical Locations**' (as indicated below) there should be safety glass or guards to protect people from injury.

The most likely locations for accidental impact, which could lead to cutting and piercing injuries are in doors, door side panels and low level glass in walls and partitions.

Critical Locations are considered to be:

1. **Glazing in doors** – wholly or partially within 1500mm from floor level.
2. **Glazing adjacent to doors** – wholly or partially within 300mm of the edge of a door and which is also wholly or partially within 1500mm from floor level.
3. **Low Level Glazing** – not covered in (1) OR (2) ABOVE - glazing that is wholly or partially within 800mm from floor level.

Diagram 1 Critical locations in internal and external walls



Glazing in 'Critical Locations' should either:

1. **Break safely**, if it breaks, i.e. laminated or toughened Class C safety glass complying with BS6206. Or if it is installed in a door or in a door side panel and has a pane exceeding 900mm it should be Class B of BS 6206.

Please note:

- Ordinary wired glass is not safety glass.
- For double-glazing the rules apply to both panes.
- All safety glazing should be permanently marked in accordance with BS6206. The markings should be still visible after the glass has been fitted and the beading and pointing has been completed.

2. **Be robust or be in small panes**, annealed glass (ordinary glass – i.e. float / wired or rolled glass) can be robust enough to prevent breakage, if the panes are small and the glass is thick enough. (See diagram 2 below). 6mm annealed glass provided it is in small panes may also comply (See diagram 3 below).

**Diagram 2 Annealed glass thickness/
dimension limits**

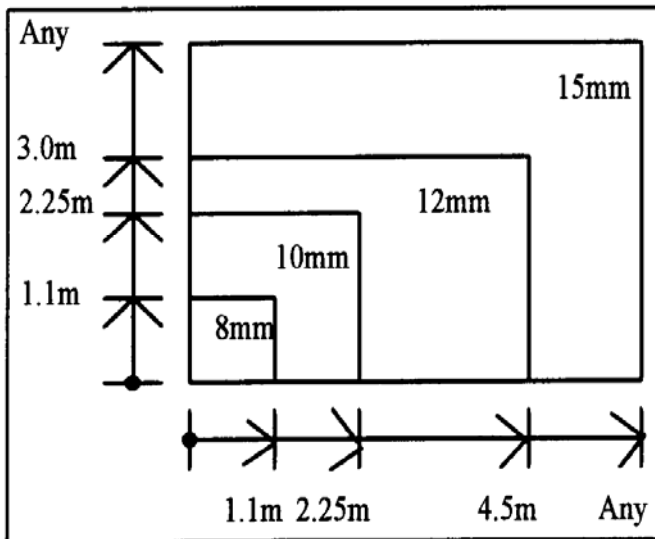
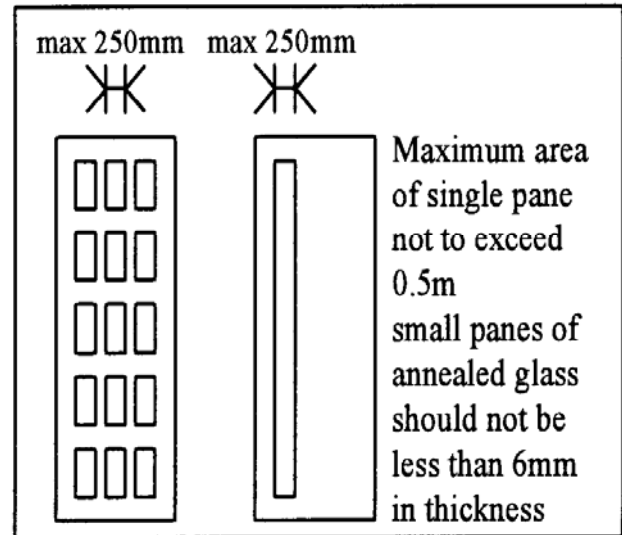


Diagram 3 Dimensions and areas of



3. **Be permanently protected.** (See diagram 4 below).

Diagram 4 Permanent screen protection

